

Product data sheet

Characteristics

SSRDCDS10A1

solid state relay - DIN rail mount - input 4-32 V DC, output 24-280 V AC, 10A
Price*: 58.00 USD



Commercial status

This Product is Obsolete : JAN 23, 2021

⚠ This Product is Obsolete

Main

Range of product	Zelio Relay
Product or component type	Solid state relay
Device short name	SSR
Phase	1 phase
Mounting support	Symmetrical DIN rail
Line Rated Current	10 A
Output voltage	24...280 V AC
[Uc] control circuit voltage	4...32 V DC

Complementary

Contacts type and composition	1 NO
Tightening torque	0.6...0.7 N.m for input 0.6...0.7 N.m for output
Connections - terminals	Screw terminals 1 x 0.2...1 x 5.3 mm ² input - AWG 24...AWG 10 Screw terminals 1 x 0.2...1 x 5.3 mm ² output - AWG 24...AWG 10
Local signalling	For input status LED (green)
Switching voltage	4 V DC turn-on 1 V DC turn-off
Input current limits	8...12 MA
Solid state output type	Zero voltage switching SCR output
Load current	0.15...10 A
Absolute maximum voltage	600 V
Surge current	120 A 8.3 ms
Maximum voltage drop	<1.6 V on-state
Maximum I ² t for fusing	60 A ² .S 8.3 ms
Maximum leakage current	10 MA off-state
DV/dt	500 V/μs off-state at maximum voltage
Response time	0.5 cycle (turn-on) 0.5 cycle (turn-off)

Environment

Standards	CSA LR 40487 IEC 62314 IEC 60950-1 UL E258297
Marking	CE
IP degree of protection	IP20
Ambient air temperature for operation	-40...176 °F (-40...80 °C)
Ambient air temperature for storage	-40...257 °F (-40...125 °C)

Ordering and shipping details

Category	22375-INTERFACE MODULE(ABA,R,S)
Discount Schedule	CP2
GTIN	00785901687726
Package weight(Lbs)	0.60 Lb(US) (0.272 kg)
Returnability	No
Country of origin	MX

Packing Units

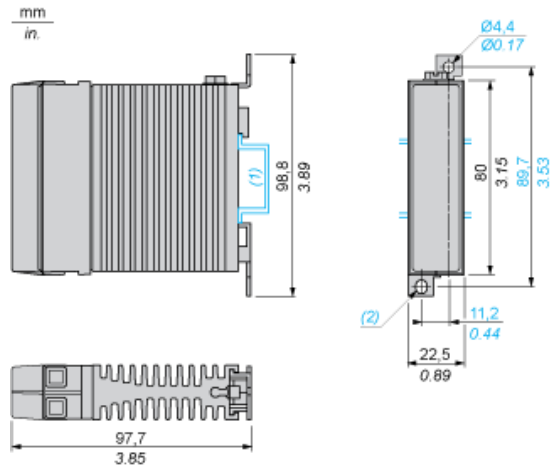
Package 1 Height	0.300 Dm
Package 1 width	1.100 Dm
Package 1 Length	1.100 Dm

Contractual warranty

Warranty	18 months
----------	-----------

Dimensions

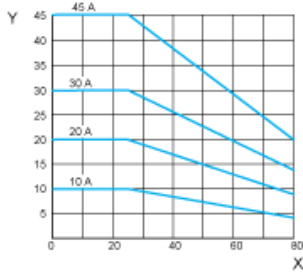
DIN Rail Mounting



- (1) 35 mm/1.37 in. DIN rail.
- (2) Ø 4.4 mm x 5.5 mm / Ø 0.17 in. x 0.22 in. elongated hole

Thermal Derating Curves

10...45 A Relays



X Ambient temperature (°C)
Y Output current (Arms)

Note : These are typical curves, actual durability depends on load, environment, duty cycle, etc.

Product Life Status : **End of commercialisation**

SSRDCDS10A1 is replaced by the following product range:



60278

A complete range of innovative, smart and reliable solid state relays - SSL - SSM - SSP

Substitution date: |



SSM1A112BD

Harmony, Solid state modular relay, 12 A, DIN rail mount, zero voltage switching, input 4...32 V DC, output 24...280 V AC

Qty 1

Substitution date: |